

# EasyPedestal

Made to fixture any collaborative  
robot brand



**EasyRobotics®**  
- we move your parts

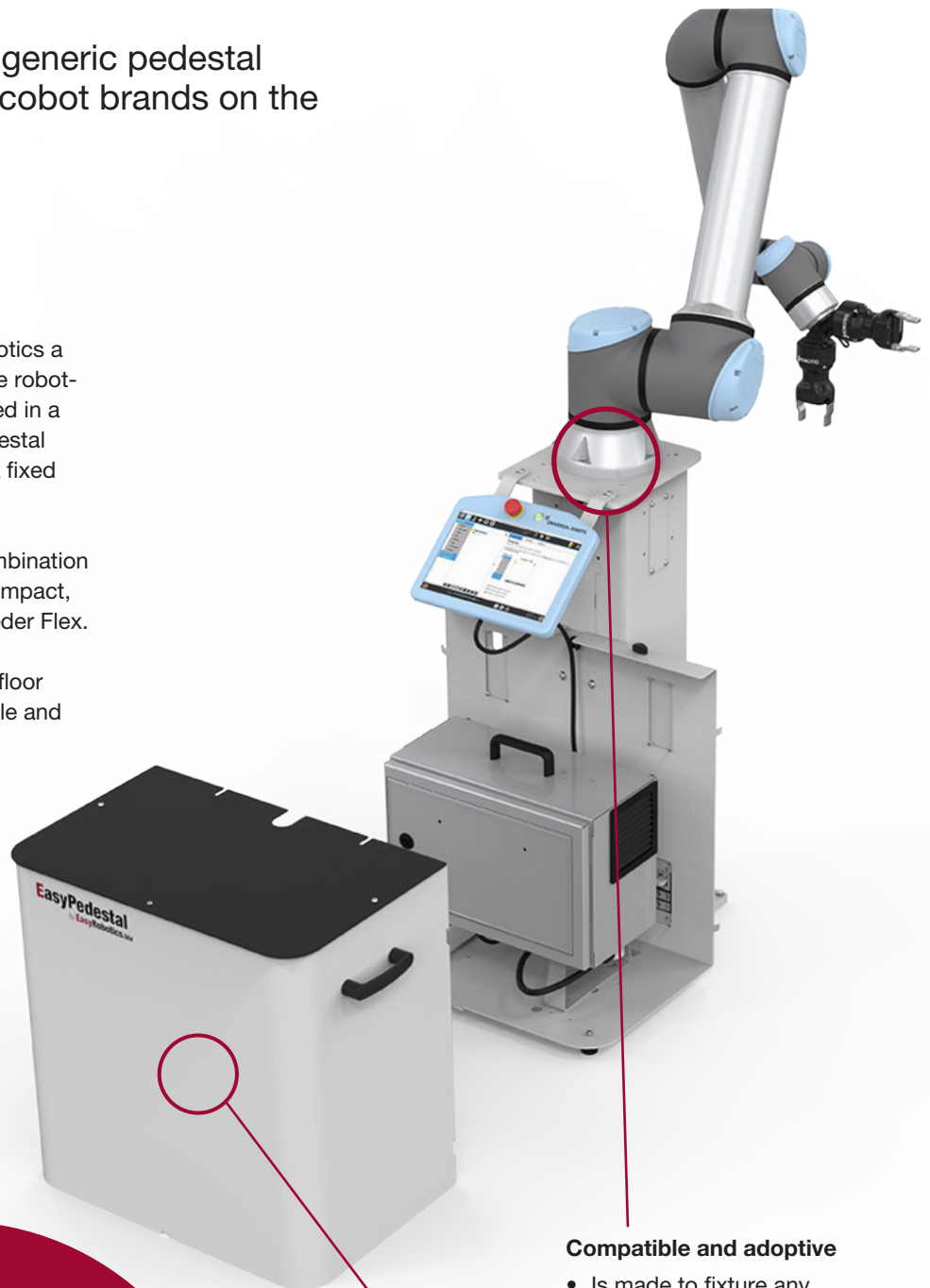
# EasyPedestal

The EasyPedestal, is generic pedestal suitable for the most cobot brands on the market

The EasyPedestal from EasyRobotics a simple cost effective stand for the robot-arm. It's designed and constructed in a rigid steel construction. EasyPedestal is to be mounted on the floor in a fixed installation.

EasyPedestal can be used in combination with EasyRobotics ProFeeder Compact, ProFeeder X and the new ProFeeder Flex.

EasyPedestal is mounted on the floor with 8x8 mm screws in both stable and industrial arrangements.



## Benefits:

There are several benefits which make the EasyPedestal the right choice to the industry;

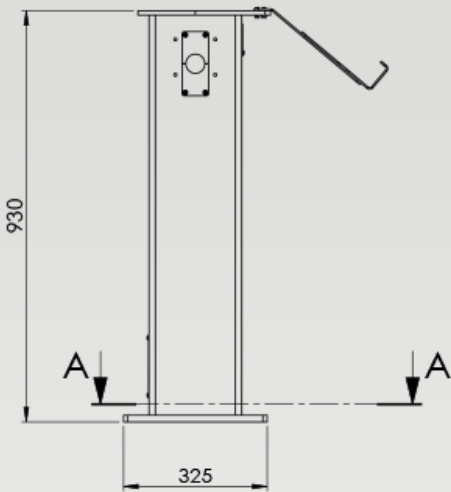
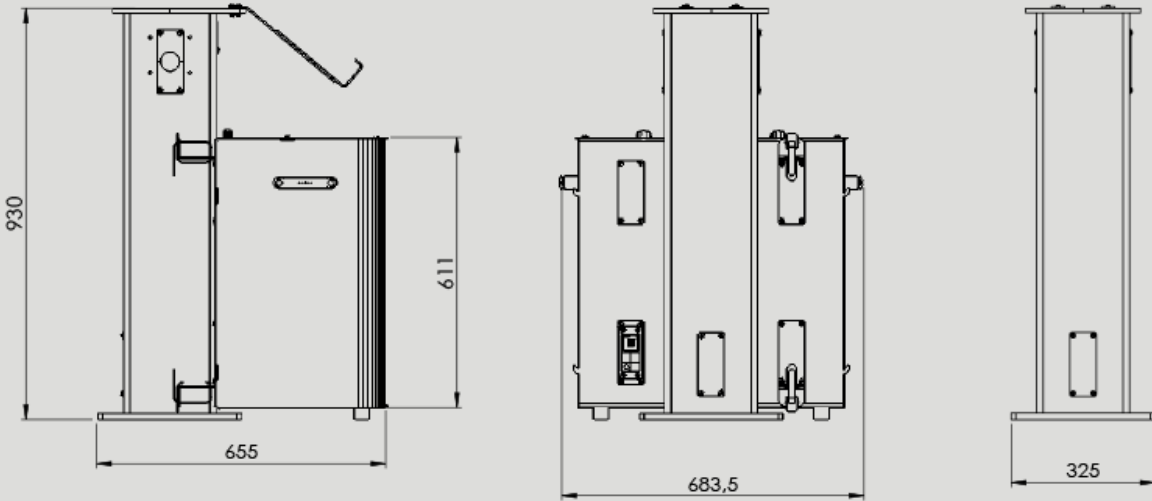
1. COMPACT – installation possible even in small spaces
2. STABLE - is made from solid metal, that ensures stability and durability
3. COST-EFFECTIVE - and even budget-friendly

### Compatible and adoptive

- Is made to fixture any collaborative robot brand, such as: Doosan, Kassow, Hanwha, UR, Fanuc, Techman.

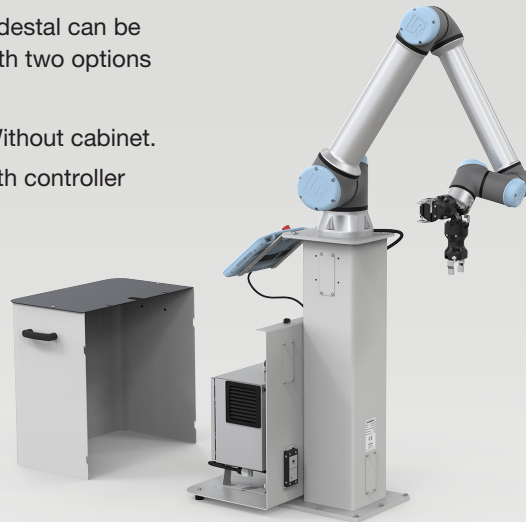
### Controller compartment

- The front cabinet in PRO version of EasyPedestal is used to protect the robot-arm controller from external influences.



The EasyPedestal can be delivered with two options

- BASE - Without cabinet.
- PRO - With controller cabinet.



### Product order overview

<b>ER1003</b>	ER Pedestal Base	Height: 925 mm TP bracket weight 70 Kg
<b>ER1005</b>	ER Pedestal PRO	Compartment for controller and TP bracket 70 Kg

Danish manufacturer and supplier of robotic cells for all types of automation.

**EasyRobotics®**  
- we move your parts

EasyRobotics ApS  
Mommarkvej 5  
DK-6400 Sønderborg  
Phone: +45 31 25 06 02  
info@easyrobotics.dk  
[www.easyrobotics.biz](http://www.easyrobotics.biz)

